

PVC Design: Tilting Eye Gaze Frame

Design by Linda J. Burkhart

Parts:

½" PVC pipe:

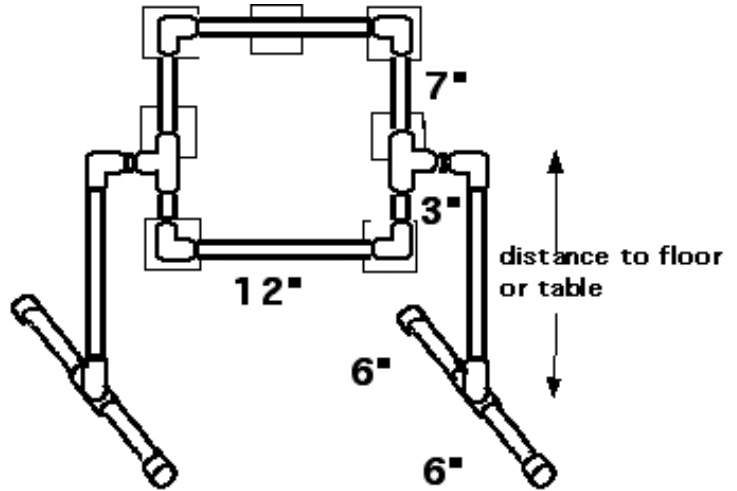
- Two custom length pieces
- Two 12" pieces
- Two 7" pieces
- Four 6" pieces
- Two 3" pieces
- Two 2" pieces

Four ½" PVC T joints

Six ½" PVC elbows

Four ½" PVC end caps

Velcro strips



Linda J. Burkhart
<http://www.Lburkhart.com>

Tools/Supplies

Pliers

PVC Cutters

PVC Cement

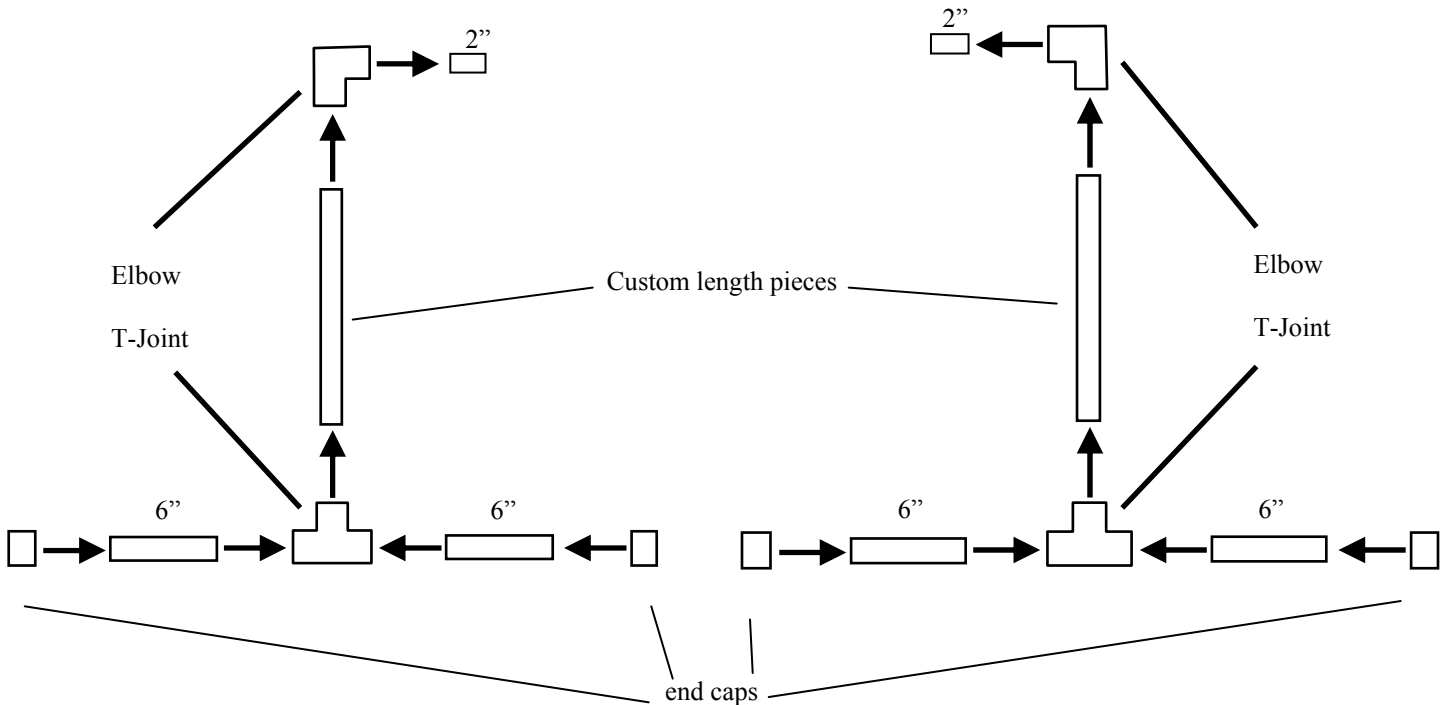
PVC Cleaner

Tape Measure

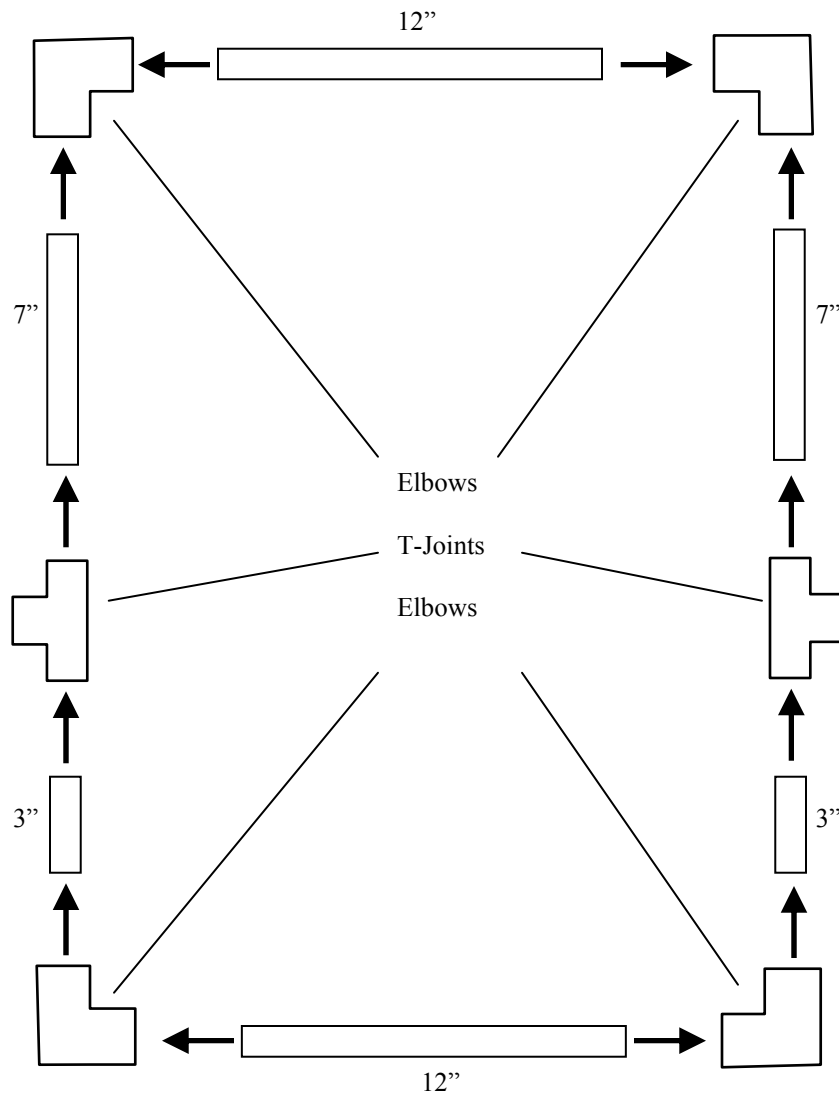
Grease Pencil

Assembly Instructions:

1. Use the PVC cutters to cut the **Parts** listed above.
2. Assemble the legs as shown below (bottom T joints rotated 90° to see assembly)



3. Assemble the eye gaze frame as shown below.



4. Put the legs and eye gaze frame together.

5. You may choose to glue the pieces together. **DO NOT** glue the junction where the legs joined the eye gaze frame. It won't rotate if you do!

6. Apply fuzzy/loop Velcro to one entire side of the eye gaze frame. Additional fuzzy/loop Velcro and pictures can be placed on the back for the adult or partner to read.

7. Apply rough/hook Velcro to the pictures or objects to be placed on the device.